



## **LOCATION GRABBA**

# **GPS TRACKER USER MANUAL**

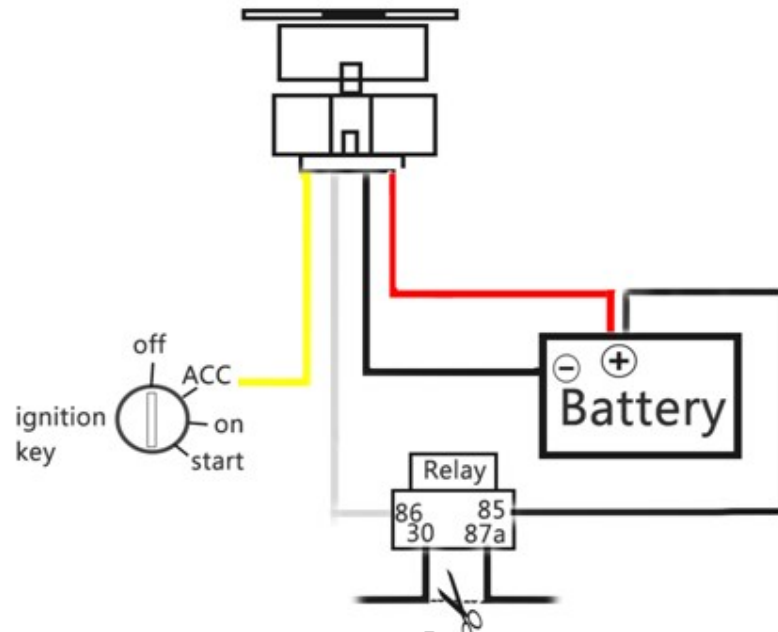


## **PREFACE**

Thank you for purchasing GPS tracker. This manual shows how to operate the device smoothly in details, please make sure to read this manual carefully before using the device. Please note that any update of this manual is made without prior notice.

Each time the update of the manual will be released in the latest product sales. The manufacturer does not assume any legal responsibility for any errors or omissions made in this manual.

# 1. Hardware Description



- 1) red wire connect power positive+,
- 2) black wire connect power negative-,
- 3) Yellow wire connects to ACC (optional 4pin connector)
- 4) White wire connects to relay white wire (optional 4pin connector)

1.2) The device is to be installed logo face up to the sky. When installed in a vehicle with any thermal insulation layer or heating layer, these layers may reduce the GPS signal and lead to a GPS signal disorder.

The GPS tracker must be installed by professional installer.

**SUGGESTED INSTALLATION LOCATIONS**

**BEHIND GLASS**



**UNDER BONNET**



**UNDER SEAT**



**IN INTERIOR ROOF FAN**

**INSIDE FRONT BOOT**



**ON FRONT A FRAME**

**FIND BEST RECEPTION POINT**

INDICATOR LIGHT STATUS	MEANING
green light -Solid	GSM signal connection
green light -Flash	NO GSM connection
Blue light -Solid	GPS signal connection
Blue light -Flash	No GPS or searching gps signal

Note: All leds will turn off after 10 minutes for best hide. If you call the device mobile number, the leds will turn on again. Connect 12V-36 v voltage of the power supply to the GPS Tracker.

## 2. Notices:

1). GPS tracking can be worked outdoors. You must have a mobile phone gsm signal and have a GPS signal, It can block the GPS satellite signal if there is metal or buildings above the GPS tracker, it is always better for the GPS Tracker to be facing glass to the sky .

2). Please make sure a 4G or a 3G WCDMA GSM network sim card is installed in the Unit, and that the sim supports making calls, sending messages, access to GPRS network, and that the sim has credit, Cancel the PIN code





### 3.Quick using

- 1) Put the SIM card into the device, prior to the installing of the GPS Unit.
  - 2) Insert sim card and connect to a power supply 9-36V
  - 3) send text message "[smslink123456](#)" to sim card of gps tracker by your mobile phone, then you can get a position information from gps tracker.
- Or call sim card of gps tracker, you can get a position information from gps tracker.

### EXPLANATION OF PARAMETERS/CODES IN SMS MESSAGE

```
GPS!
lat:22.67533 long:114.03913
speed:000.3
T:06/14/17 09:14
http://maps.google.com/
maps?f=q&q=22.67533,114.0
3913&z=16
```

Pic (1) have gps signal

```
sMcc:460 sMnc:0
sLac:9755 Cellid:3962
Time:08/00/00
Date:00/00/00
IMEI:
352887077654321
```

Pic (2) no gps signal

**Pic 1: Replied real-time tracking information under GPS satellites signal.**

- ◆ **Lat:22.67533 lon:114.03913** Positioning of the latitude and longitude values.
- ◆ **Speed: 000.3** Device moving speed. The unit is in km/h.  
**T:06/14/17 09:14** Real-tracking time, the Default is London time. You can Set a time zone by sms command.  
**Google Link:** Google map showing the position of the device.

**Pic 2: Replied LBS information without GPS satellites signal.**

- ◆ **smcc:27a4 1223:** Real-time LBS data.
- ◆ **Time:08/00/00** LBS positioning time.

If you received positioning information as picture 2, please relocate the gps tracker install position so that you can receive the satellite signal.

## **4:Support Website tracking and APP tracking**

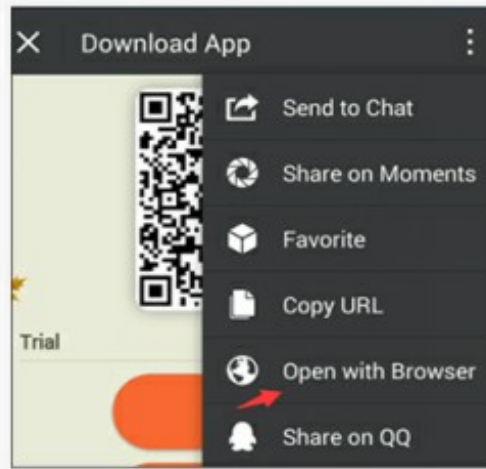
### **4.1 Scan APP and Download APP**

1) scan QR code--- open with browser--- choose Android or IPHONE--- download-- installation app

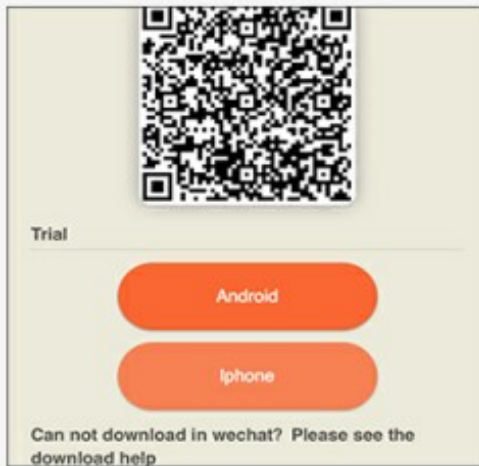
2) Download iOS APP: login in app store---dagps---Install the dagps APP



Step 1: Scan QR code



Step 2: Open with browser



Step 3: Choose Android or iphone

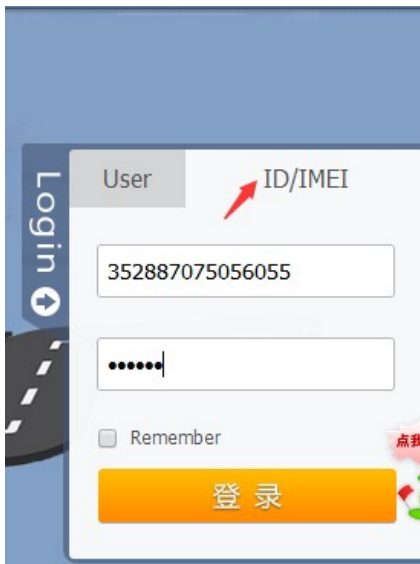


Step 4: Download

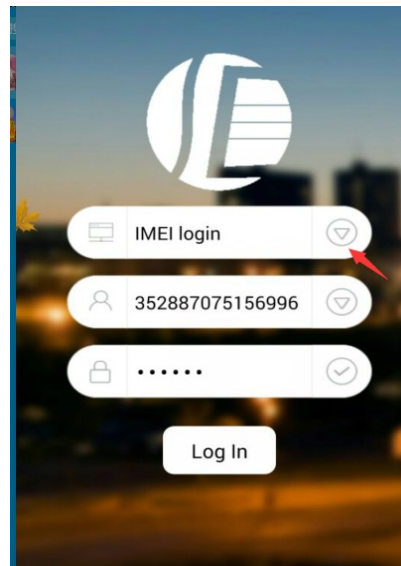
## 4.2: login platform positioning

1) Open [www.gps110.org](http://www.gps110.org)

Use tracker IMEI login, default password 123456.



PC login



APP login

**NOTE:** If the device is online in platform, there is no need set apn commands

If you insert the correct SIM card and open GPRS, the device is installed to

receive the signals, and still not showing as online. Please set the APN commands

We have two methods to find out apn content: ask sim card company or put sim card into cell phone to find out APN

SMS1: APN123456+space+Apn name (for example it tells you the apn name is ABC, so send APN123456 ABC)

If have the APN user name and password, need plus APN user name and password behind the APN name)

Eg: APN123456+space+APNname+space+APN user name+space+ APN password.

## 5. SMS Command instruction

**NOTE:**



1) Device default password:123456)

2) use of mobile phone APP or send message to the tracker about all set command, note the space in the command

3) the default alarm way is SMS+platform

INSTRUCTION	Example	REPLY
gprs mode(default app tracking)	Gprs123456 (default no need set)	Gprs ok
set APP online position(set apn)	APN123456 APN Name (Apn name is SIM card access point)	Apn ok
Change to sms mode (sms tracking)	sms123456 (default no need set)	sms ok
sms position	Smslink123456	Get address
Parameter	Check123456	Parameter

INSTRUCTION	Example	REPLY
Set admin number (support 5pcs admin)	admin123456 mobile number admin number receive alarm message	admin ok
Cancel admin number	noadmin123456 mobile number	noadmin ok
Set time zone	time zone123456 1(default no need set) (1 is east 1, -1 is west 1)	Time zone ok
Set time zone (half time zone)	Time zone123456 8 30 (8 30 is east 8.5 time zone)	time zone ok
set move alarm	move123456 200 (200 is the meter)	move ok
Cancel move alarm	nomove123456	nomove ok
Cancel low battery alarm	Lowbattery123456 off	Low batter ok
Acc alarm (4pin connector )	acc123456	Acc ok
Cancel acc alarm (4pin connector )	Noacc123456	Noacc ok
Cut off oil or power (optionional relay) If the car is driving at high speed or has no gps signal, it will not implement	Cut123456 (it will control stop the car when the speed is less than 20KM/H, This is the safety way to stop the engine	Stop engine success
Cut off oil or power (Execute immediately)	Stop123456 (no matter the vehicle speed, it will execute immediately, don't propose this is used for safety)	Stop engine success
Resume cut off oil or power	resume123456	Resume engine
Set vibration alarm	shock123456	Shock ok
Cancel vibration alarm	Noshock123456	Noshock ok
real-time tracking (default 10s)	fix030s***n123456(default no need set) every30seconds/1times positioning Can change time interval	T n ok

## Specifications

Content	Specs
Dim.	90*46*17mm
Weight	48g
Network	4G /3G WCDMA
Band	GSM850/900/1800/1900MHz / UMTS850/900/1900/2100MHz
GSM chip	DA6276
GPS chip	8130
GPS sensitivity	-159dBm
GPS accuracy	10m
Time To First Fix	Cold status 45s-85s Warm status 35s Hot status 1s
Work voltage	5V
Storage Temp.	-40°C to +85°C
Operation Temp.	-20°C to +55°C
Humidity	5%--95% non-condensing

## 6. FAQ and processing methods.

FAQ	Instructions/Solutions
Fail to turn it on	Please check if connected to power 9V-36V and red light if Solid

No GSM signal	<p>Please check if SIM card is installed correctly and has credit, if there a mobile phone GSM signal</p> <p>Please check if SIM card is 4G or 3G GSM network.</p> <ul style="list-style-type: none"> <li>● Please check if voltage of the power is normal</li> </ul>
No GPS	A more open view of the sky is recommended to make sure the GPS Tracker receives the GPS signal normally.
No reply to SMS command	Password wrong or the format is wrong. restore factory settings send messages <a href="#">begin123456</a>
No reply to calling & No alarm message	Authorized / admin phone number is incorrect or has not set up
SMS position OK, cannot APP position	Pls check if APN is correctly set. And set the correct APN
Platform position is difference and the actual position.	position time didn't update or no GPS signal: call the device phone number and receive the position message. If it shows like Pic 2, pls make sure the device can receive the GPS signal normally.in outdoor,and take device to walk around, make sure sim normal
Platform login failed	Pls Confirm if the number is correct,point the IMEI number to log in IMEI number on the back of device,it is correct,Provide IMEI number to add by factory
Gps installed	Gps installed at good signal place of car, need professional installation

**7.If you want use the device on other platform, please send to customer service a request pls set IP and port. And then send message to gps with below format (No need to set by default)**

**SMS1: adminip123456+space+IP+space+port**(No need to set by default)

**Eg: Adminip123456 103.110.152.62 7018**

or SMS1: adminip123456+space+DNS+port(No need to set by default)

Eg:adminip123456 [www.gps110.org](http://www.gps110.org) 7018